

**LUBRICATION
ORDER**

L05-4310-277-12

22 AUGUST 1969 (Supersedes L05-4310-277-12, 14 June 1968)

COMPRESSOR, RECIPROCATING, AIR, 15 CFM, 175 PSI, TANK MOUNTED, GED, (CHAMPION PNEUMATIC MODEL HGR5-8M-1). COMPRESSOR RECIPROCATING, AIR, 15 CFM, 175PSI, TRAILER MOUNTED, GED. (CHAMPION PNEUMATIC MODEL BGR-5M-1)

Reference: C9100-IL, LO 5-2805-203-14

Intervals are based on normal hours of operation. Adjust to compensate for abnormal operation and severe conditions. During inactive periods, sufficient lubrication must be performed for adequate preservation.

Relubricate after washing.

Clean parts with SOLVENT, dry-cleaning, or with OIL, fuel, Diesel. Dry before lubricating.

Drain crankcase when hot. Fill and check level.

FOLD

FOLD

LUBRICANT ● INTERVAL

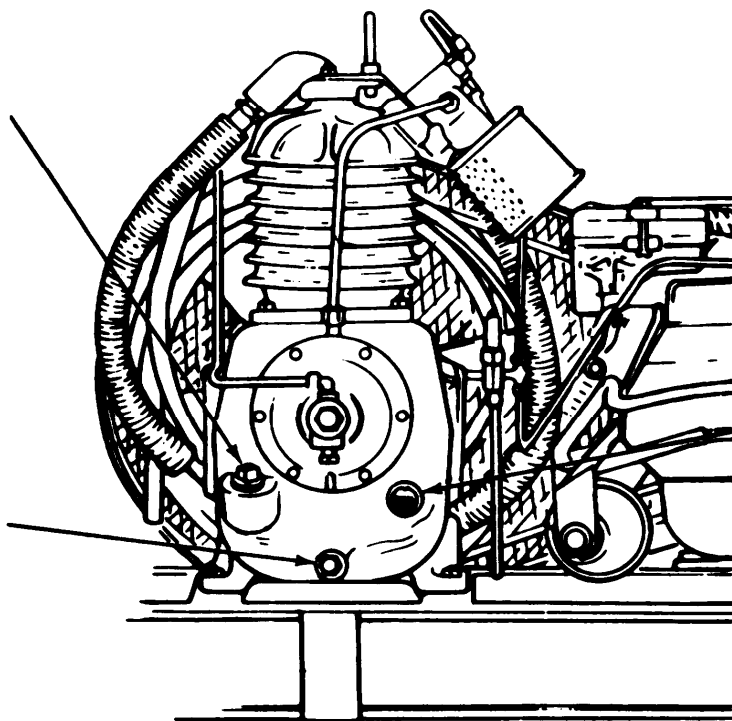
INTERVAL ● LUBRICANT

Compressor Crankcase
Fill Plug
(See Key.)

OE

Compressor Drain Cap
(Drain and Refill.)

500



10

Compressor Oil Level
Sight Gage
(Check level.)

-KEY-

LUBRICANTS	CAPACITY	EXPECTED TEMPERATURES			INTERVALS
		Above +32° F	+40° F to -10° F	0° F to -65° F	
OE-OIL, Engine, Heavy Duty		OE 30	OE 10	OES	Intervals given are in hours of normal operation
Compressor Crankcases	2 1/4 qt				
OES-OIL, Engine, Sub-zero					

NOTES:

1. FOR OPERATION OF EQUIPMENT IN PROTRACTED COLD TEMPERATURES BELOW--10° F. Remove lubricants prescribed in the key for temperatures above--10° F. Relubricate with lubricants specified in the key for temperatures below--10° F.

2. LUBRICANTS. The following is a list of lubricants with the Military Symbols and applicable specification numbers.

OE MIL-L-2104
OES MIL-L-10295

Copy of this Lubrication Order will remain with the equipment at all times; instructions contained herein are mandatory.

BY ORDER OF THE SECRETARY OF THE ARMY:

W. C. WESTMORELAND
General, United States Army,
Chief of Staff

OFFICIAL:

KENNETH G. WICKHAM,
Major General, United States Army,
The Adjutant General

FOLD

FOLD